

6-Port Compact Unmanaged Industrial Ethernet Switch, Model IES 104-2F

FEATURES



4 Fast Ethernet ports, Auto-negotiation speed, Auto Full/Half Duplex Mode, and Auto MDI/MDI-X connection
2*100BaseFX ports, SC connector default, Maximum 120km distance
Wide range voltage 12 to 48V DC power input, Dual Supply
Metal housing with IP40 protection, support high EMC level
DIN-Rail Mounting and Wall Mounting supported
Wide Operating Temperature (-40 to 85°C) to satisfy harsh industrial environment

SPECIFICATION

Interface

Protocol : IEEE802.3, IEEE802.3u Store & Forward Switching
RJ45 port : 10/100BaseT(X) speed Auto-Negotiation, Full/Half Duplex mode
MDI/MDI-X connection
Fiber port : 100BaseFX Full Duplex SC/ST options, max distance to 120km
Tx Power : -6 to -10 db
Rx Sensitivity : -34 dB

Switching Characteristic

10M Frame Forward Rate : 14881pps
100M Frame Forward Rate : 148810pps
Forward Mode : Store-and-Forward
Switching Bandwidth : 1.2 Gbps
Cache Size : 448Kbits
MAC Address Table : 1K

Power Supply

Input : Wide DC power input (12V/24V/48V)
7.62mm industrial terminal
Full-load Consumption : 2.88W (@ 24VDC)

Physical Characteristic

Dimensions : 40mm×128mm×96mm, W×H×D
Weight : 300g
Housing : Metal, IP40 protection
Installation : Wall mounting or DIN rail mounting

Environment Limits

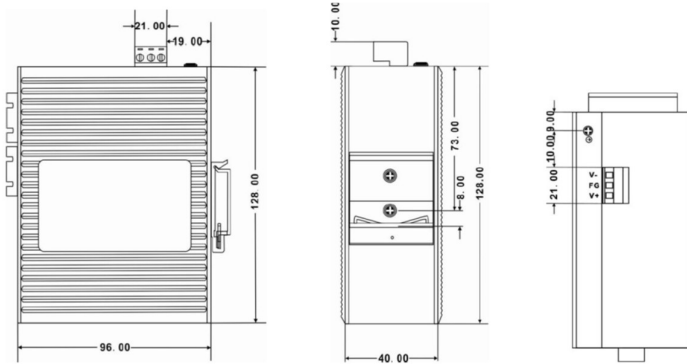
Work Temp : -40°C to 85°C
Storage Temp : -40°C to 85°C
Relative Humidity : 5% to 95% non-condensing

San Telequip (P) Ltd.,
504 & 505 Deron Heights, Baner Road
Pune 411045, India
Phone : +91-20-27293455, 9764027070, 8390069393
email : info@santelequip.com



Approvals Tested for

- IEC61000-4-2(ESD) : $\pm 6KV$ Contact, $\pm 15KV$ Air
- IEC61000-4-3(RS) : 10V/M(80-1000MHZ)
- IEC61000-4-4(EFT) : Power $\pm 4KV$, Data Cable $\pm 4KV$
- IEC61000-4-5(Surge) : Power $\pm 2KV$ CM/ $\pm 1KV$ DM, Data Cable $\pm 4KV$
- IEC61000-4-6(CS) : 3V (10KHZ-150KHZ), 10V (150KHZ-80MHZ)
- IEC61000-4-16(MS) : 30V COUNT 300V, 1S
- IEC60068-2-6(Vibration)
- IEC60068-2-27(Shock)
- IEC60068-2-32(Free Fall)
- IEC61000-6-2(General Industrial Standard)



Ordering Model Code : IES 104-2F-XX00-YY-DC

- IES 104 : Base Code for Unmanaged Switch with 4*10/100TX Copper Ports
- 2F : 2 * 100FX Fiber Ports
- XX : Fiber type
 - : MM for Multimode, SM for Singlemode. Singlemode is by default
- 00 : Fiber distance. 20Km by default for Singlemode
- YY : Fiber Connector
 - : SC for SC Connector, ST for ST Connector
- DC : Fixed for DC Supply