

San Telequip (P) Ltd.,
 504 & 505 Deron Heights, Baner Road
 Pune 411045, India
 Phone : +91-20-27293455, 9764027070, 8390069393
 email : info@santelequip.com



Connecting. Converting. Leading!

Self-healing Dual Fiber Serial Converter, Model SC12FS SH I



Serial communication has distance limitations. Breakages in multidrop connections lead to loss in data making it unsuitable for critical communication. The SC12FS SH I is a Self-Healing RS232/RS485/422 to Dual - Full Duplex Fiber port converter forming a Redundant Optical Fiber ring. Instead of multidropping Serial devices on RS485, you can effectively multidrop them on Fiber, giving you the advantage of Redundancy, distances as large as 100 km instead of 1.2Km, as well offering immunity to various types of noise and increase the dependability of data.

A communication failure is sensed, if any of the Slave node fails or the Power goes off or there is a break in fiber etc. If the primary path breaks, the communication continues unhindered from the Redundant path. The communications model is one Master and multiple Slaves. It is easy to structure a network of Star, Daisy Chain or Loop type. You need at least 3 converters to form a ring



Specifications

Ports

Serial * 1 : RS232/RS485/RS422
 Serial Port Connector : 7 pin Screw type connectors
 Baud Rate : 300bps to 115.2Kbps
 Fiber * 2 : Full Duplex
 Code error rate : below 10⁻⁹
 Wavelength : SM :1310 (default) / 1550 nm, MM :1310 (default) / 850 nm
 Cable : SM : 09/125 μm, MM : 62.5/125 μm or 50/125 μm
 Fiber Connectors : ST, SC or FC. Select any one.
 Distance : MM 2 to 5km. SM 20km. Longer distances are available as options in SM
 Tx Power : -8.5dBm
 Sensitivity : -35 dBm
 Code : HDB3

Power

Power supply : Options: DC 12, 24, 48 OR 110-370V DC OR 230V AC (Range 85 to 265V)
 : Dual Redundant in DC 12, 24, 48V Option only

Power

Alarm Relay : Relay: 24V DC 1 Amp. Normally Off for Power failure.

Mechanicals

Dimensions : 144mm × 97mm ×33mm
 Weight : 500 gm
 Mounting : DIN Rail
 Enclosure Classification : IP40

Operating Conditions

Working temperature : -20 to +75°C
 Storage temperature : -40 to +85°C
 Relative humidity : 95% non-condensation

Protection

MTBF : Better than 100,000 hours
 ESD Protection: : 15 KV ESD Surge Protection for all signals
 Isolation Protection : 2.5KV Optical Isolation for Power and Signals (Optional)
 Surge Protection : 600W on RS485 lines

LED Indicators

PWR 1, 2 : Power 1 & 2 Tx / Rx A : A Data Send/Receive, Green
 MASTER : Master station, Red Tx / Rx B : B Data Send/Receive, Green
 SUB : Slave station, Green TXD : Serial port Data Send, Green
 LOOPA : Fiber port A receiving, Green RXD : Serial port Data Receive, Green
 LOOPB : Fiber port B receiving, Green
 (Loop A & Loop B LED status can be used to derive the Optical connection / Loop back test.)

San Telequip (P) Ltd.,
 504 & 505 Deron Heights, Baner Road
 Pune 411045, India
 Phone : +91-20-27293455, 9764027070, 8390069393
 email : info@santelequip.com



Connecting. Converting. Leading!

DIP Switches:

DIP switches are for the configuration of the Master and Slave units and to add a 120 Ohm termination resistor on RS-485 port.

Power Supply connection						
PIN	1	2	3	4	5	6
Signal	V1+	V1-	RY+	RY-	V2+	V2-
Signal type	DC12V, DC24V, DC48V		Alarm Relay		DC12V, DC24V, DC48V	
	DC110-370V					
	AC85-265V					

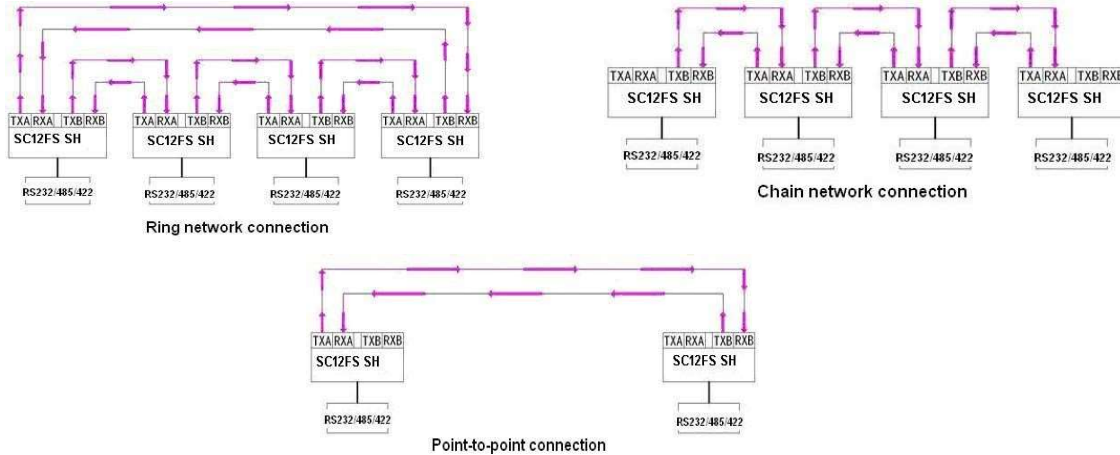
RS-232/485/422 terminal connection							
PIN	1	2	3	4	5	6	7
Signal	TX+(A+)	TX-(B-)	RX+	RX-	GND	TXD	RXD
Signal Type	RS-422/RS-485		RS-422		RS-232		

Approvals

- IEC 60950-1 / EN 60950-1: Safety
- EN55032: Conducted & Radiated Disturbances
- IEC 61000-3-2 Harmonic Current Emission
- IEC 61000-3-3 Voltage Fluctuations & Flicker
- EN55024
- IEC 61000-4-2
- IEC 61000-4-3
- IEC 61000-4-4
- IEC 61000-4-5
- IEC 61000-4-6
- IEC 61000-4-8
- IEC 61000-4-11



CONNECTION ARCHITECTURES



Model Selection Code: SC12FS-SH-I M/SXXX YY ZZZZ

- SC12FS SH I : Base Model
- M/S : M : Multimode. S : Singlemode
- XXX : Distance for SM: 020/040/060 Km. 20Km is default for Singlemode
- YY : Connector: SC/ST/FC
- ZZZZ : A230 = 230V AC. Range 85 to 265V AC
 : D220 = 220V DC. Range 110 to 370V DC
 : D12 = 12V DC, D24 = 24V DC, D48 = 48V DC
 (This option is with Redundant supplies)